

PRODUCT DATA SHEET

ProMaxion Process Mass Spectrometer

Online gas analysis for weatherproof or hazardous area locations

AMETEK's ProMaxion process mass spectrometer offers real-time gas analysis in a reliable easy-to-use package for a wide range of industrial applications. With more than 20 years' experience in mass spectrometer design and manufacture, and over six thousand quadrupole analyzers operating reliably worldwide, AMETEK alone has the credentials to bring you the ProMaxion – cost-effective, high-performance analysis for your process.

Multicomponent analysis

Real-time process monitoring of multiple components is straightforward with ProMaxion's powerful, easy-to-use Process 2000 software. Complex overlapping spectra are handled automatically, with data output directly in concentration units. Different calibration and analysis methods can be assigned to each sample port.

Replaces process gas chromatographs

Mass spectrometry is a very rapid analytical method allowing analysis of multiple sample streams in seconds and can directly replace gas chromatographs and other discrete analytical devices. This field-proven system, combined with AMETEK's more than 30 years' experience in the process analyzer business, means you can depend on ProMaxion for your critical process analysis and control applications.

Easy to use and maintain

The software provides easy setup and operation and includes advanced alarm and automation capabilities. Autocalibration maintains the performance and accuracy of the system for quantitative analysis. The on-board computer enables auto-start to prevent loss of data or interruption of your process during power failure. Self-diagnostics and modular design ensure ease of maintenance by your own personnel on site, with remote support available for additional factory diagnosis and troubleshooting. There is no need for the expensive service contract typical of most process mass spectrometers.



KEY BENEFITS

- Affordable spares for fast field repairs
- Low cost of ownership
- Global service support network

APPLICATIONS

- Ammonia
- Ethylene
- Ethylene oxide
- Polyethylene
- Steel manufacturing, e.g. BOF, VOD
- Syngas production
- Environmental - BTX, VOCs, VCM, EDC
- Methanol
- Fermentation
- Solvent drying
- Scrubbers
- Reaction end point
- Fuel cell research

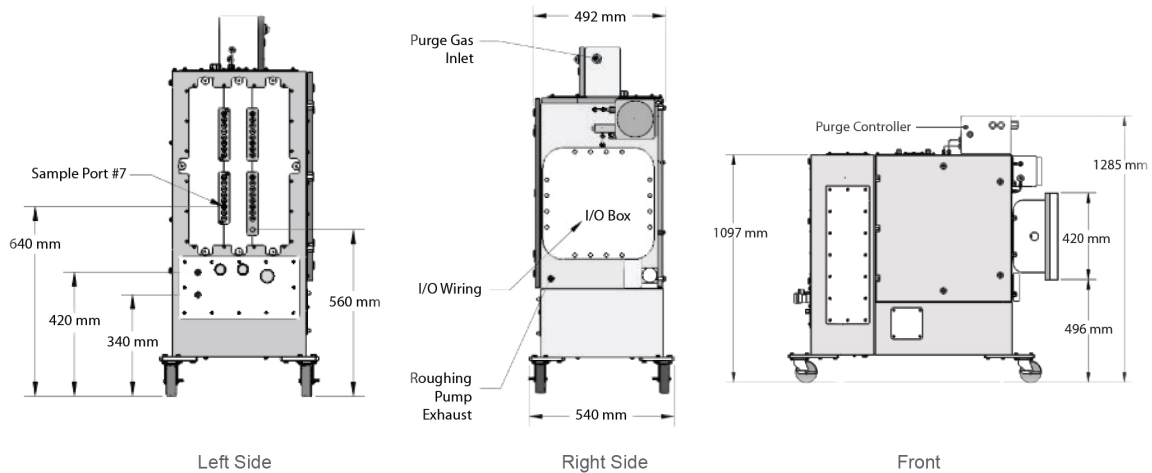
KEY MARKETS

- Pharmaceutical
- Hydrocarbon processing
- R&D/Process development

PERFORMANCE SPECIFICATIONS

Range	1-100 AMU; optional 1-200 AMU, 1-300 AMU.
Inlet	Expandable sample selection manifold with electric or pneumatic valves. Membrane inlet system for ambient air samples.
Inlet pressure (gas)	30 PSIG (207kPa) to 3 Torr absolute.
Accuracy	Absolute Standard Deviation better than 25 PPM on 1% component, e.g. argon in air (0.25% RSD).
Communication	Standards include: RS-485, RS-232, fiber optics, Modbus, OPC. Optional analog/digital outputs available.
Detection range	From 10 PPM to 100% with gas samples, Faraday cup. Optional electron multiplier for lower LODs.
Power	115/230 VAC, 50/60 Hz, 1000 W.
Ambient temperature	+12°C to 40°C.
PC	Windows®-based Process 2000 software running up to Win 10.
Enclosures	Weather resistant, stainless steel, NEC purged, and designed for CI D1 and 2 versions available.

DIMENSIONS



SALES, SERVICE & MANUFACTURING

USA - Pennsylvania

150 Freeport Road
Pittsburgh PA 15238
Tel: +1 412 828 9040
Fax: +1 412 826 0399

USA - Delaware

455 Corporate Blvd.
Newark DE 19702
Tel: +1 302 456 4400
Fax: +1 302 456 4444

Canada - Alberta

2876 Sunridge Way NE
Calgary AB T1Y 7H9
Tel: +1 403 235 8400
Fax: +1 403 248 3550

WORLDWIDE SALES AND SERVICE LOCATIONS

USA

Tel: +1 713 466 4900
Fax: +1 713 849 1924

Brazil

Tel: +55 19 2107 4100

France

Tel: +33 1 30 68 89 20
Fax: +33 1 30 68 89 99

Germany

Tel: +49 2159 9136 0
Fax: +49 2159 9136 39

India

Tel: +91 80 6782 3200
Fax: +91 80 6780 3232

Singapore

Tel: +65 6484 2388
Fax: +65 6481 6588

China

Beijing
Tel: +86 10 8526 2111
Fax: +86 10 8526 2141
Chengdu
Tel: +86 28 8675 8111
Fax: +86 28-8675 8141
Shanghai
Tel: +86 21 5868 5111
Fax: +86 21 5866 0969



© 2018, by AMETEK, Inc. All rights reserved. Printed in the U.S.A. F-0331 Rev 4 (0718)
One of a family of innovative process analyzer solutions from AMETEK Process Instruments. Specifications subject to change without notice.

